

# FRANKENSTEIN

Made with Pride

**TRIKES**<sup>TM</sup>

Pleasanton, KS. U.S.A.



**CREATE YOUR OWN  
MONSTER**



## OUR COMPANY

Since 1995 Frankenstein Trikes co-owner Frank Pedersen has designed and produced award winning Choppers, Custom motorcycle frames and Trikes. In 2005 Frank Pedersen and long time friend Steinar Bergby decided the Trike industry needed the next generation of Trike rear ends. Frank and Stein adapted their experience in design, style and fabrication to create the revolutionary Frankenstein Trikes Hot Rod Trike Rear end.

The Frankenstein Trike rear end was originally conceived to provide a custom Trike rear end that was lighter, stronger, narrower, more reliable and better looking than what was available. We introduced the 30" Hot Rod Trike rear end and custom bike builders loved it. What we didn't expect was the overwhelming interest from individuals who wanted to convert their stock bike into a Trike. As a result, we made wider rear ends that are better suited for stock bike conversions. Gradually, with each conversion we designed swing arms, fenders, fender brackets and sourced wheels and tires. Within the first two years we developed kits for most Harley Davidson models. Now we offer our customers complete, simple bolt-on Trike kits, that can be installed in one day.

Quality and design set us apart from our competitors. We use only the best components and materials such as Dana differentials, 9" Ford street/strip axles, billet 4 piston calipers, stainless steel rotors, grade 8 or better hardware and 6061 T6 Billet aluminum. We are constantly adding new products, listening to user feedback and expanding the options available to our customers. Our Trike Kits are manufactured right here in Pleasanton, Kansas, USA.

We want our customers to have a satisfying experience when purchasing, installing and owning a Frankenstein Trike kit. Our entire staff is dedicated to quality and continuous improvement.

Choosing a Trike kit is an important decision, we expect you to compare our Trike kits to those of other manufacturers. We believe, the more you compare, the better we look.

*Frank Pedersen*



Frankenstein Trikes  
9453 Trump Ter.  
Pleasanton, Kansas 66075

913-352-6788

# HOW TO ORDER

You can purchase a complete Trike kit designed specifically for your motorcycle or order individual components required to fabricate your own Custom Trike. You can place your order with us, or thru one of our dealers. We need year, make and model of your motorcycle, and require payment in full at the time of order.

# SHIPPING AND HANDLING



Orders are usually shipped within 5 days. We ship using insured domestic ground delivery to your business or home. For easy handling, most of our Trike kits are packaged in 5 separate boxes. We use expandable foam in our packaging to avoid damage during shipping. You will be provided with tracking numbers via phone or email upon shipment.

# INSTALLATION



Our Trike Kits are designed to be a simple bolt-on installation. If you are not comfortable installing your Trike kit, you can have it installed at any one of our dealers.

# WARRANTY

All Frankenstein Trike rear ends and Trike kits have a three year unlimited miles warranty on materials and workmanship from date of purchase.

Warranty is limited to repair or replacement of parts, not labor or paint. This warranty does not cover parts that fail as a result of improper installation, misuse, abuse or the failure of another part. Parts installed for use on off road vehicles, racing or competition use have no warranty. Parts modified for use or installed for use other than their original design and application have no warranty.

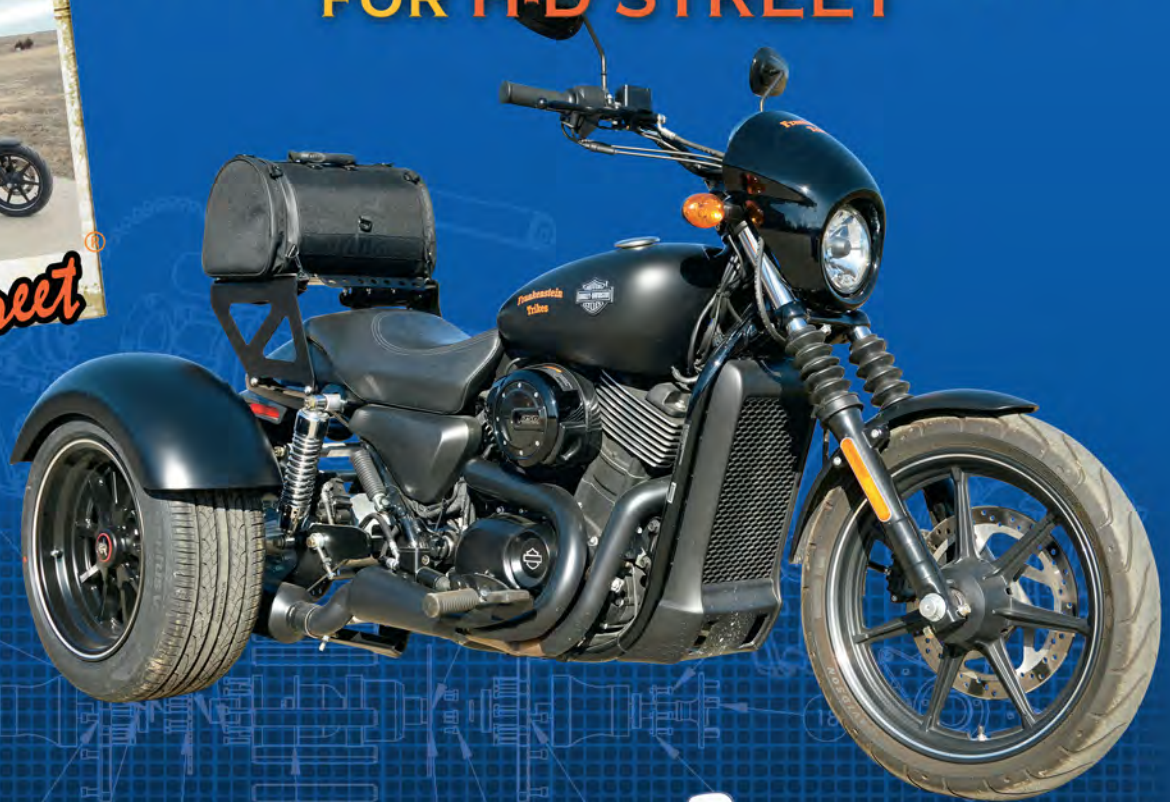
## DISCLAIMER

The names and model designations Harley-Davidson , Harley, H-D, Sportster, Dyna, FXR, Softail, Fat Boy, Heritage, Roadking, Electra Glide, FLT, FLH, FX, FL, XL and V-ROD are owned by Harley-Davidsons and its affiliated companies. These trade marks are used in this catalog for reference only. Frankenstein Trikes is in no way associated with Harley-Davidson Motor Co.

Frankenstein Unlimited owns the following trademarks: Frankenstein Trikes, Create Your Own Monster, Sport Trike Kit, Sport Trike Rear End, Hot Rod Trike Kit, Hot Rod Trike Rear End, Hot Rod Trikes and Power Steer.

# **WWW.FRANKENSTEINTRIKES.COM**

# FRANKENSTEIN TRIKE KITS FOR H-D STREET®



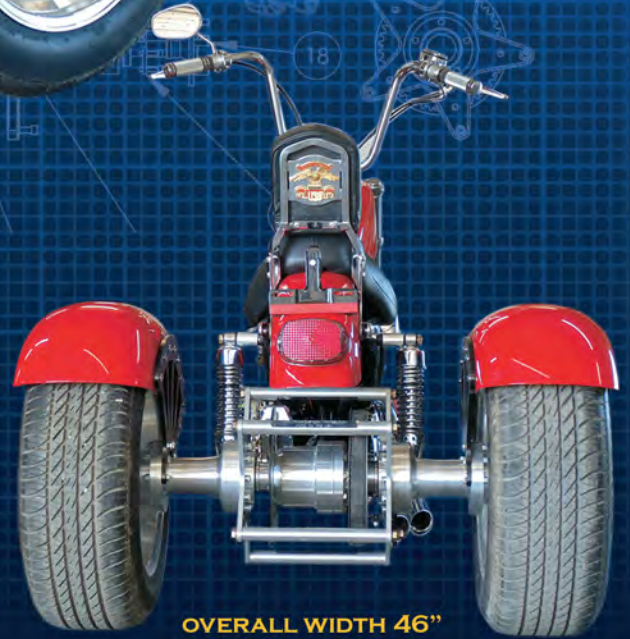
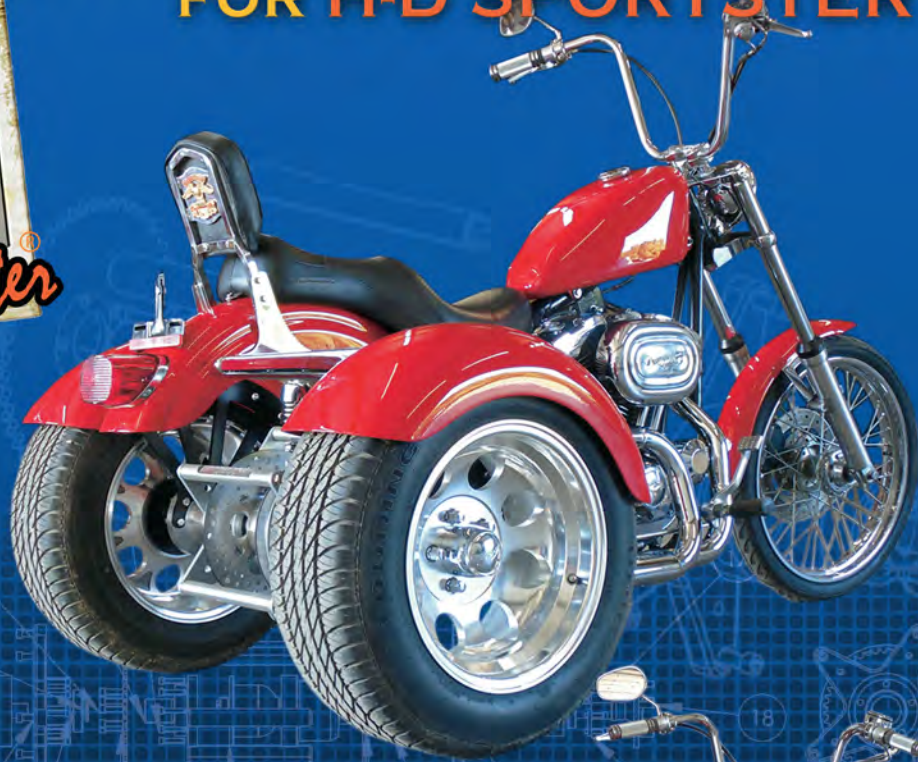
OVERALL WIDTH 48"

## STREET 36"® SPORT TRIKE KIT

- ★ 36" LIGHT SPORT 200 REAR END
- ★ ROTOR AND BRAKE CALIPER
- ★ SWINGARM
- ★ 2 ION 15" x 8" WHEELS STYLE MB
- ★ LUG NUTS & CENTER CAPS
- ★ 2 GENERAL ALTIMAX 205/50 HR 15 TIRES
- ★ 2 SPORT FENDERS 11"
- ★ 2 FENDER BRACKETS
- ★ 2 11.75" SHOCKS
- ★ EXHAUST KIT
- ★ ALL REQUIRED HARDWARE

[WWW.FRANKENSTEINTRIKES.COM](http://WWW.FRANKENSTEINTRIKES.COM)

# FRANKENSTEIN TRIKE KITS FOR H-D® SPORTSTER®



## SPORTSTER® 34" SPORT TRIKE KIT

- ★ 34" LIGHT SPORT STD. REAR END
- ★ ROTOR AND BRAKE CALIPER (OPTIONAL OUTBOARD BRAKES AVAILABLE)
- ★ SWINGARM
- ★ 2 ION 15" x 8" WHEELS STYLE POLISHED
- ★ LUG NUTS & CENTER CAPS
- ★ 2 GENERAL ALTIMAX 215/60 HR 15 TIRES
- ★ 2 SPORT FENDERS 11"
- ★ 2 FENDER BRACKETS
- ★ 2 12" SHOCKS
- ★ ALL REQUIRED HARDWARE

[WWW.FRANKENSTEINTRIKES.COM](http://WWW.FRANKENSTEINTRIKES.COM)

# FRANKENSTEIN TRIKE KITS FOR H-D® 4 SPEED FL/FX®



OVERALL WIDTH 50"

## 4 SPEED FL/FX® 38" SPORT TRIKE KIT

- ★ 38" SPORT STD. REAR END
- ★ ROTOR AND BRAKE CALIPER (DUAL OUTBOARD BRAKES AVAILABLE)
- ★ SWINGARM
- ★ 2 ION 15" X 8" WHEELS STYLE POLISHED
- ★ LUG NUTS & CENTER CAPS
- ★ 2 GENERAL ALTIMAX 215/60 HR 15 TIRES
- ★ 2 SPORT FENDERS 11"
- ★ 2 SPORT FENDER BRACKETS
- ★ ALL REQUIRED HARDWARE

KIT ALSO AVAILABLE WITH LONG FL  
STYLE FENDERS & 1 PIECE FENDER  
BRACKET, SEE PRICE LIST FOR DETAILS



[WWW.FRANKENSTEINTRIKES.COM](http://WWW.FRANKENSTEINTRIKES.COM)

# FRANKENSTEIN TRIKE KITS FOR H-D® FXR®



OVERALL WIDTH 50"

## FXR® 38" SPORT TRIKE KIT

- ★ 38" SPORT STD. REAR END
- ★ ROTOR AND BRAKE CALIPER (DUAL OUTBOARD BRAKES AVAILABLE)
- ★ SWINGARM
- ★ 2 ION 15" X 8" WHEELS STYLE POLISHED
- ★ LUG NUTS & CENTER CAPS
- ★ 2 GENERAL ALTIMAX 215/60 HR 15 TIRES
- ★ 2 SPORT FENDERS 11"
- ★ 1 FLT FENDER BRACKET
- ★ ALL REQUIRED HARDWARE

[WWW.FRANKENSTEINTRIKES.COM](http://WWW.FRANKENSTEINTRIKES.COM)

# FRANKENSTEIN TRIKE KITS FOR H-D DYNA®



## DYNA® 38" SPORT TRIKE KIT

- ★ 38" SPORT STD. REAR END
- ★ ROTOR AND BRAKE CALIPER (OPTIONAL OUTBOARD BRAKES AVAILABLE)
- ★ SWINGARM
- ★ 2 ION 15" X 8" WHEELS STYLE POLISHED
- ★ LUG NUTS & CENTER CAPS
- ★ 2 GENERAL ALTIMAX 215/60 HR 15 TIRES
- ★ 2 SPORT FENDERS 11"
- ★ 2 FENDER BRACKETS
- ★ ALL REQUIRED HARDWARE

[WWW.FRANKENSTEINTRIKES.COM](http://WWW.FRANKENSTEINTRIKES.COM)



# FRANKENSTEIN TRIKE KITS FOR H-D® SOFTAIL®



OVERALL WIDTH 50"

## H-D® SOFTAIL® 38" SPORT TRIKE KIT

- ★ 38" SPORT STD. REAR END
- ★ ROTOR AND BRAKE CALIPER (OPTIONAL OUTBOARD BRAKES AVAILABLE)
- ★ SWINGARM
- ★ 2 ION 15" X 8" WHEELS STYLE POLISHED
- ★ LUG NUTS & CENTER CAPS
- ★ 2 GENERAL ALTIMAX 215/60 HR 15 TIRES
- ★ 2 SPORT FENDERS 11"
- ★ 2 FENDER BRACKETS
- ★ ALL REQUIRED HARDWARE

[WWW.FRANKENSTEINTRIKES.COM](http://WWW.FRANKENSTEINTRIKES.COM)

# FRANKENSTEIN TRIKE KITS FOR H-D 2018 UP SOFTAIL®



OVERALL WIDTH 50"

## H-D® SOFTAIL® 38" SPORT TRIKE KIT

- ★ 38" SPORT STD. REAR END
- ★ ROTOR AND BRAKE CALIPER (OPTIONAL OUTBOARD BRAKES AVAILABLE)
- ★ SWINGARM
- ★ 2 ION 15" X 8" WHEELS STYLE POLISHED
- ★ LUG NUTS & CENTER CAPS
- ★ 2 GENERAL ALTIMAX 215/60 HR 15 TIRES
- ★ 2 SPORT FENDERS 11"
- ★ 2 FENDER BRACKETS
- ★ ALL REQUIRED HARDWARE

[WWW.FRANKENSTEINTRIKES.COM](http://WWW.FRANKENSTEINTRIKES.COM)

# FRANKENSTEIN TRIKE KITS FOR 2018 UP H-D® SOFTAIL® FATBOY® / BREAKOUT®



OVERALL WIDTH 56"

## H-D® SOFTAIL® 42" SPORT 250 TRIKE KIT

- ★ 42" SPORT 250 REAR END
- ★ ROTOR AND BRAKE CALIPER (OPTIONAL OUTBOARD BRAKES AVAILABLE)
- ★ SWINGARM
- ★ 2 ION 15" x 8" WHEELS STYLE POLISHED
- ★ LUG NUTS & CENTER CAPS
- ★ 2 HANKOOK 265/50 HR 15 TIRES
- ★ 2 SPORT FENDERS 12 3/4"
- ★ 2 FENDER BRACKETS
- ★ ALL REQUIRED HARDWARE

[WWW.FRANKENSTEINTRIKES.COM](http://WWW.FRANKENSTEINTRIKES.COM)

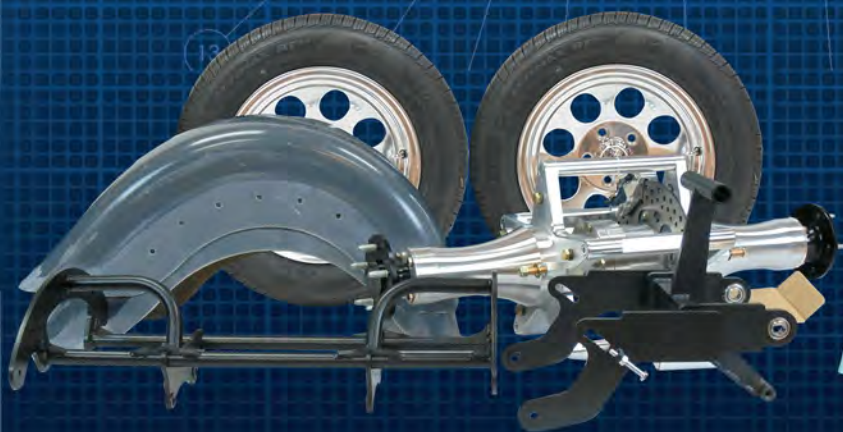
# FRANKENSTEIN TRIKE KITS FOR H-D® SOFTAIL® FATBOY® & HERITAGE®



*Softail Heritage®*



SHOWN WITH CUSTOMER SUPPLIED  
SPOKE WHEELS AND WHITEWALL TIRES



OVERALL WIDTH 50"

## H-D® SOFTAIL® FATBOY® HERITAGE® 38" SPORT TRIKE KIT

- ★ 38" SPORT STD. REAR END
- ★ ROTOR AND BRAKE CALIPER (OPTIONAL OUTBOARD BRAKES AVAILABLE)
- ★ SWINGARM
- ★ 2 ION 15" X 8" WHEELS STYLE POLISHED
- ★ LUG NUTS & CENTER CAPS
- ★ 2 GENERAL ALTIMAX 215/60 HR 15 TIRES
- ★ 2 FL STYLE FENDERS 11"
- ★ 1 FENDER BRACKET
- ★ ALL REQUIRED HARDWARE

[WWW.FRANKENSTEINTRIKES.COM](http://WWW.FRANKENSTEINTRIKES.COM)

# FRANKENSTEIN TRIKE KITS FOR H-D® V-ROD®



OVERALL WIDTH 48"

## V-ROD® 36" HOT ROD TRIKE KIT

- ★ 36" HOT ROD 200 REAR END
- ★ ROTOR AND BRAKE CALIPER
- ★ SWINGARM
- ★ 2 ION 15" X 8" WHEELS STYLE POLISHED
- ★ LUG NUTS & CENTER CAPS
- ★ 2 GENERAL ALTIMAX 215/60 HR 15 TIRES
- ★ 2 SPORT FENDERS 11"
- ★ 2 FENDER BRACKETS
- ★ 2 SHOCKS
- ★ ALL REQUIRED HARDWARE

[WWW.FRANKENSTEINTRIKES.COM](http://WWW.FRANKENSTEINTRIKES.COM)

# FRANKENSTEIN TRIKE KITS FOR H-D® FLT®, FLH® & ROADKING®



## FLT®, FLH® & ROAD KING® 38" SPORT TRIKE KIT

- ★ 38" SPORT STD. REAR END
- ★ ROTOR AND BRAKE CALIPER (OPTIONAL OUTBOARD BRAKES AVAILABLE)
- ★ SWINGARM
- ★ 2 ION 15" X 8" WHEELS STYLE POLISHED
- ★ LUG NUTS & CENTER CAPS
- ★ 2 GENERAL ALTIMAX 215/60 HR 15 TIRES
- ★ 2 FL STYLE FENDERS 11"
- ★ 1 FENDER BRACKET
- ★ ALL REQUIRED HARDWARE

FLH SPORT EXHAUST AVAILABLE.



[WWW.FRANKENSTEINTRIKES.COM](http://WWW.FRANKENSTEINTRIKES.COM)

# FRANKENSTEIN TRIKE KITS FOR YAMAHA® BOLT®



*Yamaha Bolt*



## YAMAHA® BOLT 950 36" LIGHT SPORT TRIKE KIT

- ★ 36" LIGHT SPORT 200 REAR END
- ★ ROTOR AND BRAKE CALIPER
- ★ SWINGARM
- ★ 2 ION 15" X 8" WHEELS STYLE MB
- ★ LUG NUTS & CENTER CAPS
- ★ 2 GENERAL ALTIMAX 215/60 HR 15 TIRES
- ★ 2 FENDER BRACKETS
- ★ EXHAUST KIT
- ★ ALL REQUIRED HARDWARE

[WWW.FRANKENSTEINTRIKES.COM](http://WWW.FRANKENSTEINTRIKES.COM)

# FRANKENSTEIN TRIKE KITS FOR YAMAHA® V-STAR



*Yamaha V-Star*



OVERALL WIDTH 50"

## YAMAHA® V-STAR 950 OR 1300 38" LIGHT SPORT TRIKE KIT

- ★ 38" LIGHT SPORT 250 REAR END
- ★ ROTOR AND BRAKE CALIPER
- ★ SWINGARM
- ★ 2 ION 15" x 8" WHEELS STYLE B
- ★ LUG NUTS & CENTER CAPS
- ★ 2 GENERAL ALTIMAX 215/60 HR 15 TIRES
- ★ 2 FENDER BRACKETS
- ★ EXHAUST KIT
- ★ ALL REQUIRED HARDWARE

[WWW.FRANKENSTEINTRIKES.COM](http://WWW.FRANKENSTEINTRIKES.COM)



# FRANKENSTEIN TRIKE KITS FOR YAMAHA® ROADSTAR®



*Yamaha Roadstar*



OVERALL WIDTH 52"

## YAMAHA® ROADSTAR 1600/ 1700 40" SPORT TRIKE KIT

- ★ 40" SPORT 200 REAR END
- ★ ROTOR AND BRAKE CALIPER
- ★ SWINGARM
- ★ 2 ION 15" X 8" WHEELS STYLE POLISHED
- ★ LUG NUTS & CENTER CAPS
- ★ 2 GENERAL ALTIMAX 215/60 HR 15 TIRES
- ★ 2 SPORT FENDERS 11" (OPTIONAL BODY AVAILABLE)
- ★ 2 FENDER BRACKETS
- ★ ALL REQUIRED HARDWARE

**WWW.FRANKENSTEINTRIKES.COM**

# FRANKENSTEIN TRIKE KITS FOR YAMAHA® RAIDER®



## YAMAHA® RAIDER 1900 38" HOT ROD 250 TRIKE KIT

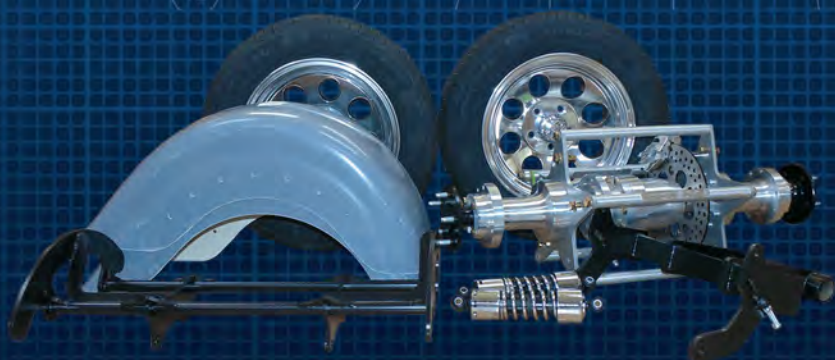
- ★ 38" HOT ROD 250 REAR END
- ★ ROTOR AND BRAKE CALIPER
- ★ SWINGARM
- ★ 2 ION 15" x 8" WHEELS STYLE POLISHED
- ★ LUG NUTS & CENTER CAPS
- ★ 2 GENERAL ALTIMAX 215/60 HR 15 TIRES
- ★ 2 SPORT FENDERS 11"
- ★ 2 FENDER BRACKETS
- ★ ALL REQUIRED HARDWARE

[WWW.FRANKENSTEINTRIKES.COM](http://WWW.FRANKENSTEINTRIKES.COM)

# FRANKENSTEIN TRIKE KITS FOR KAWASAKI® VULCAN 1700



OVERALL WIDTH 50"



## KAWASAKI® VULCAN 1700 38" SPORT TRIKE KIT

- ★ 38" LIGHT SPORT 250 REAR END
- ★ ROTOR AND BRAKE CALIPER (OPTIONAL OUTBOARD BRAKES AVAILABLE)
- ★ SWINGARM
- ★ 2 ION 15" X 8" WHEELS STYLE POLISHED
- ★ LUG NUTS & CENTER CAPS
- ★ 2 GENERAL ALTIMAX 215/60 HR 15 TIRES
- ★ 2 FL STYLE FENDERS 11"
- ★ 1 FENDER BRACKET
- ★ ALL REQUIRED HARDWARE

[WWW.FRANKENSTEINTRIKES.COM](http://WWW.FRANKENSTEINTRIKES.COM)

# CREATE YOUR OWN MONSTER™

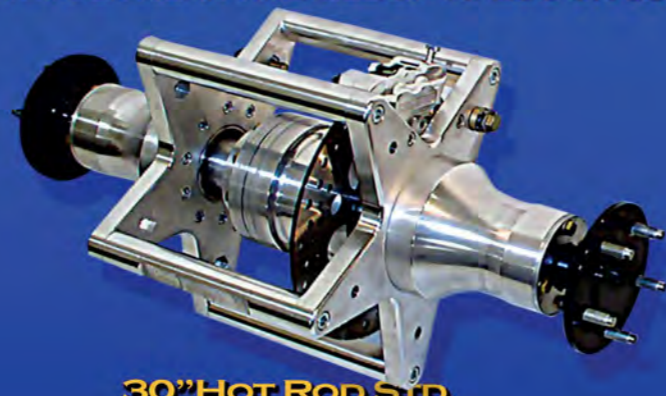
## FRANKENSTEIN TRIKE REAR ENDS

"STANDARD" TRIKE REAR ENDS FOR BIKES WITH STOCK REAR TIRE SIZE UP TO 200 ON SOME MODELS, SPROCKET/PULLEY MOUNTING SURFACE IS 3.25" FROM CENTER.

**STANDARD**



34" LIGHT SPORT STD.



30" HOT ROD STD.



34" HOT ROD STD.



38" SPORT STD.

"200" TRIKE REAR ENDS FOR BIKES WITH STOCK REAR TIRE SIZE UP TO 200, SPROCKET/PULLEY MOUNTING SURFACE IS 4.25" FROM CENTER.

**200**



32" HOT ROD 200



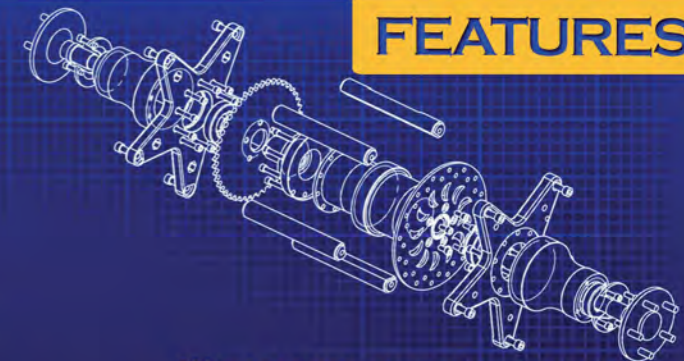
36" HOT ROD 200



40" SPORT 200

DANA DIFFERENTIAL  
9" FORD STREET/STRIP AXLES  
SEALED BEARINGS  
5 ON 4.5" BOLT PATTERN  
6061 T6 BILLET ALUMINUM  
PACKED WITH MOLY EP GREASE  
STAINLESS STEEL ROTOR  
BILLET 4 PISTON CALIPER  
OUTBOARD BRAKES AVAILABLE  
WEIGHT 86<sup>LB</sup> TO 106<sup>LB</sup>  
USE YOUR SPROCKET OR PULLEY

**FEATURES**



WITH ELEVEN DIFFERENT MODELS, THE FRANKENSTEIN TRIKE REAR END WILL ALLOW YOU TO TRANSFORM MOST CHAIN OR BELT DRIVEN BIKES INTO THE MONSTER YOU HAVE ALWAYS WANTED. SWINGARMS AVAILABLE FOR MOST HARLEY MODELS. SEE OUR PRICE LIST FOR ALL OF OUR AVAILABLE COMPONENTS.

"250" TRIKE REAR ENDS FOR BIKES WITH STOCK REAR TIRE SIZE UP TO 250, SPROCKET/PULLEY MOUNTING SURFACE IS 5.25" FROM CENTER.

**250**



34" HOT ROD 250



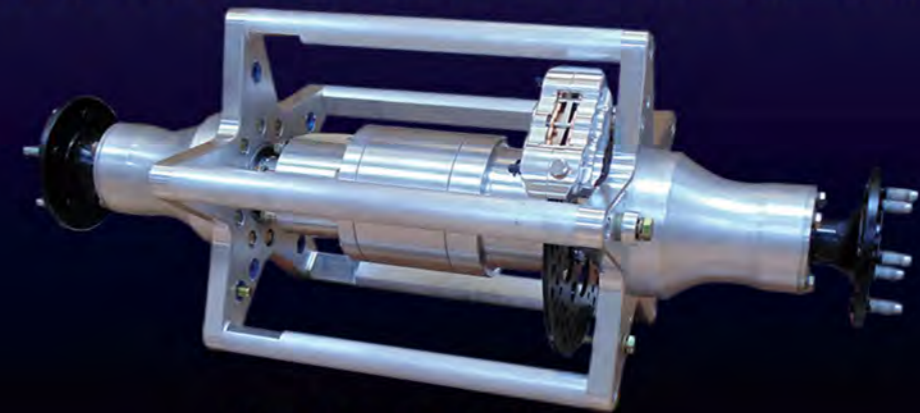
38" SPORT 250



42" SPORT 250  
SHOWN WITH OPTIONAL OUTBOARD BRAKES

"300" TRIKE REAR ENDS FOR BIKES WITH STOCK REAR TIRE SIZE UP TO 300, SPROCKET/PULLEY MOUNTING SURFACE IS 6.25" FROM CENTER.

**300**



36" HOT ROD 300

# FRANKENSTEIN TRIKES LUGGAGE RACKS



YAMAHA® BOLT

13



H-D SPORTSTER

16



H-D STREET®



UPGRADE YOUR TRIKE CONVERSION WITH...



# FRANKENSTEIN TREES™

WHEN CONVERTING A MOTORCYCLE TO A TRIKE, STEERING WILL GET HEAVIER AND MORE EFFORT IS REQUIRED TO STEER. POWER-STEER TRIPLE TREES GIVES YOU LIGHTER STEERING AND A MORE ENJOYABLE RIDING EXPERIENCE.



# FRANKENSTEIN TRIKE KITS

CALL FOR MORE INFORMATION



**2001 Indian Scout**



**Custom 300 tire Softail**



**1999 Victory V92 Classic**



**2007 Victory Vegas**



**2011 Victory Cross Country**



**2008 Victory Vegas 8-Ball**

**WWW.FRANKENSTEINTRIKES.COM**

# FRANKENSTEIN TRIKE KITS

CALL FOR MORE INFORMATION



**2005 Thunder Mountain Blackhawk**



**2004 Big Dog Chopper**



**2021 Custom Softtail Trike**



**2006 American IronHorse**



**2000 Suzuki Hayabusa**



**2001 Harley Davidson Buell**

**WWW.FRANKENSTEINTRIKES.COM**



# THE NIGHT TRIKE IS THE RIGHT TRIKE



# LOOKING BACK

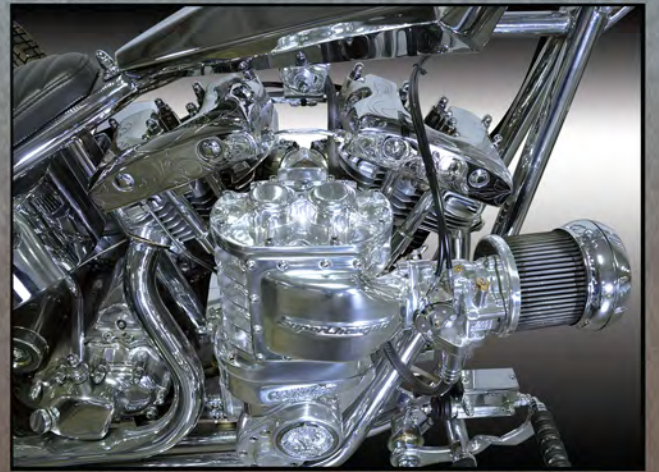


# THE

# BEAST



# Chrome Roamer





[WWW.FRANKENSTEINTRIKES.COM](http://WWW.FRANKENSTEINTRIKES.COM)

# Combat Hero Bike Build



In 2013, two long-time friends and riders with Run for the Wall wanted to find a way to recognize our severely wounded combat veterans and give them the freedom of riding that many of us take for granted. These friends, John "Hardcharger" Barker and Ray "Too Tall" McDowell, came up with a way to say thanks to those veterans and formed Combat Hero Bike Build (CHBB).

In 2014 CHBB awarded its first bike to Charlie Linville, a Marine from Idaho. Since 2014 Combat Hero Bike Build has gone on to build 17 more motorcycles/trikes, 7 of them Frankenstein Trikes, for well deserving Iraq, Afghanistan, and Vietnam veterans.

Combat Hero Bike Build is a 501(c)(3) nonprofit organization created to serve our severely wounded combat veterans. It is a program designed by warriors, for warriors, to give our wounded heroes the freedoms they once enjoyed.

The motorcycle is long associated with freedom and adventure. Many ride for the sense of freedom, many for the sense of adventure, or a chance to be free from the day to day stress of life or all of the above. We are all born free and the motorcycle gives us that sense of never-ending freedom. No boundaries, going where we want, when we want. Many of our wounded are experienced bikers but now have injuries that limit their ability to be free. Building, rebuilding, or modifying existing bikes, can help get them back mentally to where they need and want to be. Visit [www.combatherobikebuild.org](http://www.combatherobikebuild.org) for more information.



[WWW.FRANKENSTEINTRIKES.COM](http://WWW.FRANKENSTEINTRIKES.COM)



# WHEN ONLY THE BEST WILL DO! FRANKENSTEIN TRIKES

FRANKENSTEIN TRIKES  
9453 TRUMP TER.  
PLEASANTON, KS. 66075  
COPYRIGHT 2023, FRANKENSTEIN TRIKES