



TRIPLE TREE INSTALLATION INSTRUCTIONS

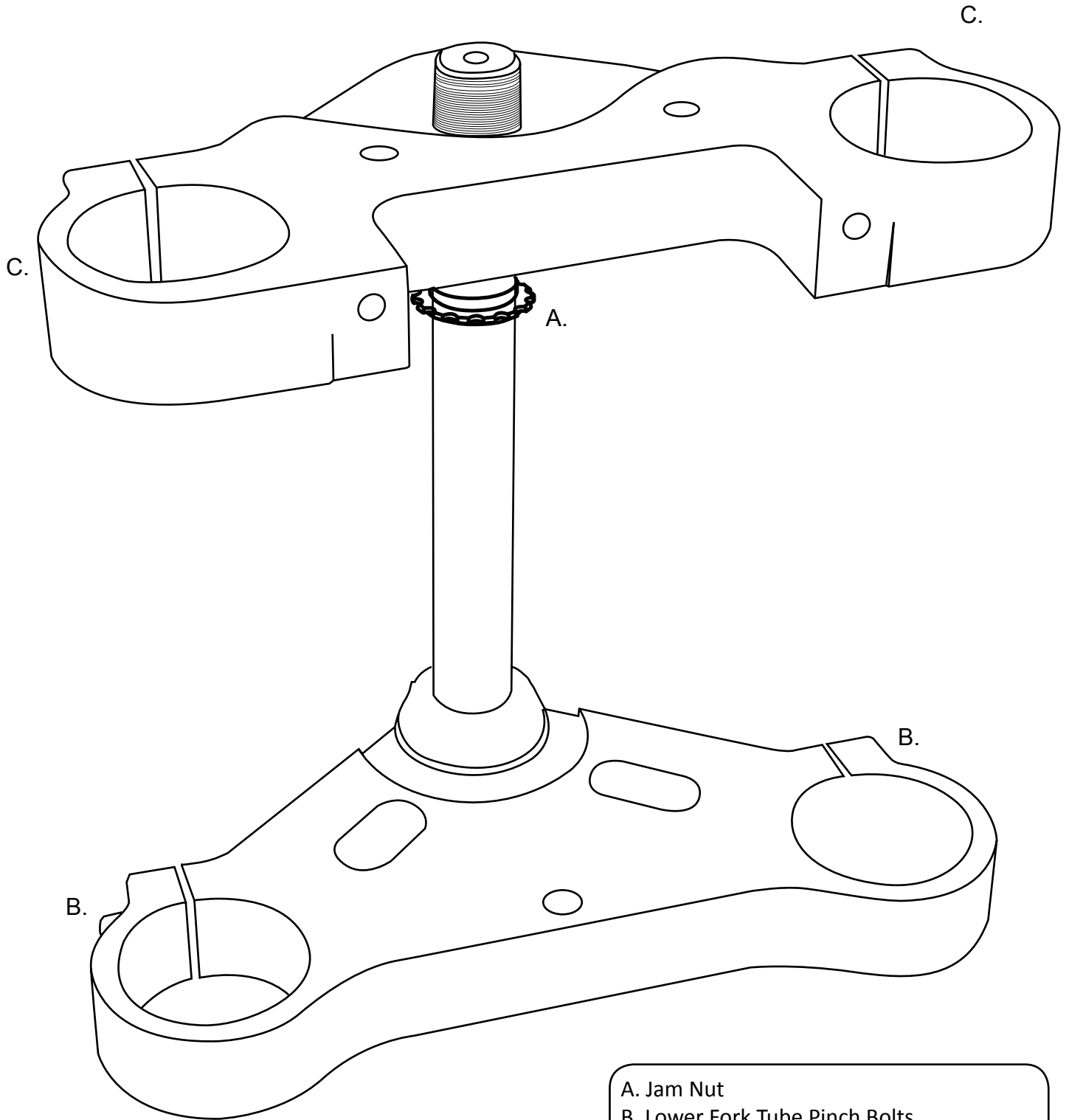
V-Rod Muscle 4° 55mm

This product is designed for use on a trike or a bike with a sidecar. Please read instructions fully before starting installation. Refer to your bikes service manual. Warning - Front end performance is a critical safety item. Triple trees should be installed by a qualified service technician.

1. After the trike rear end is installed. Put the bike in gear and place a block of wood behind the rear wheels. Jack the front end up enough to get the front wheel off of the ground.
2. Remove the front caliper. Hang off to the side. Do not remove the brake lines from the calipers.
3. Place a heavy blanket over the air box cover as the handlebars will be placed on the air box cover.
4. Remove the front wheel & tire and fender. Remove the headlight hang off to the side. Remove the handlebars and place on the blanket. Do not disconnect brake line, cable or wires.
5. Remove the fork tube assemblies. Remove the triple tree.
6. Remove the plastic from around the bearing on the new triple tree. Clean and repack the upper bearing with grease or replace if necessary.
7. Install lower triple tree in neck, install the jam nut on the triple tree stem. Tighten the jam nut (A). The neck bearings need to have more pre-load as a trike. Make sure that the triple tree will turn. If the triple tree will not turn loosen the jam nut(A) a little.
11. Install the top triple tree on stem, use the stock triple tree top nut. Do not tighten at this time.
12. Install fork tubes snug up lower fork tube pinch bolts (B). Do not tighten upper fork tube pinch bolts (C) at this time.
13. Tighten top triple tree nut.
14. Make sure that the fork tubes go through the top tee the same amount. Tighten the upper (C) and lower (D) fork tube pinch bolts.
13. Install handlebars, headlight, wheel & tire, fender and caliper.
14. Refer to service manual for torque specifications.



Installation of raked triple tree may change the position of the headlight mount, please check and adjust headlight beam to safe angle.



- A. Jam Nut
- B. Lower Fork Tube Pinch Bolts
- C. Upper Fork Tube Pinch Bolts